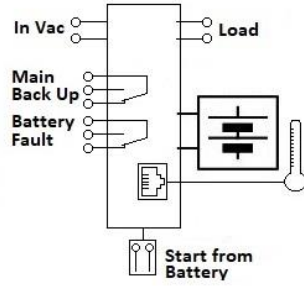


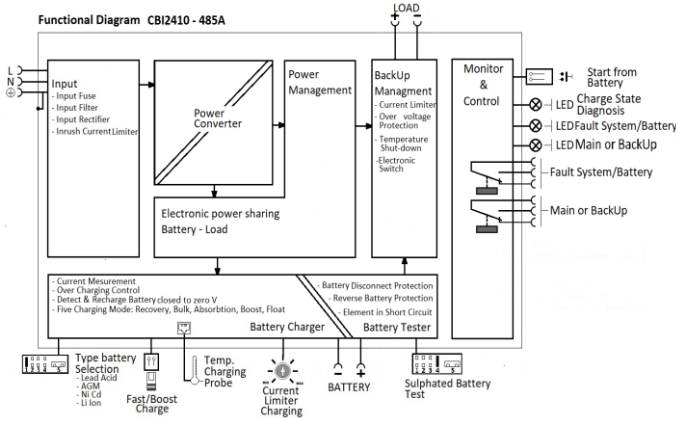
# CBI2410A ALL In One



**Input:** Single-phase 115 – 277 Vac  
**Output Load:** power supply 24 Vdc; 10 A  
**Output Battery:** charging 24 Vdc; 10 A  
 Suited for the following battery types: Open Lead Acid, Sealed Lead Acid, lead Gel and Ni-Cd  
 Automatic diagnostic of battery status. Charging curve IUoU, constant voltage and constant current Battery Life Test function (Battery Care)  
 Switching technology, output voltage 22-28.8Vdc  
 Three charging levels: Boost, Float and Recovery  
 Protected against short circuit and inverted polarity  
 Signal output (contact free) for discharged or damaged battery  
 Signal output (contact free) for mains or Back-UP  
 Protection degree IP20 - DIN rail; Space saving

## Technical features

Thanks to the All In One units (DC-UPS), it will be possible to optimize power management. The available power is automatically allocated between load and battery, supplying power to the load is the first priority of the unit thus it is not necessary to double the power, because also the power going to the battery will go to the load so requires. The maximum available current on the load output is 2 times the value of the device rated current  $I_n$ . We call "Battery Care" the concept base on algorithms that implement rapid and automatic charging, battery charge optimization during time, flat batteries recovery and real time diagnostic during installation and operation. The Real Time Auto-diagnostic system, monitoring battery faults such as, battery Sulfated, elements in short circuit, accidental reverse polarity connection, disconnection of the battery, they can easily be detected and removed by help of Blink Code of Diagnosis Led; during the installation and after sell. The continuous monitoring of battery efficiency, reduces battery damage risk and allows a safe operation in permanent connection. Each device is suited for all battery types, by means of jumpers it is possible setting predefined curves for Open Lead Acid, Sealed Lead Acid, Gel, Ni-Cd(option). They are programmed for two charging levels, boost and charge, but they can be changed to single charging level by the user. A rugged casing with bracket for DIN rail mounting provide IP20 protection degree. They are extremely compact and cost-effective.



## Norms and Certifications

In Conformity to: EN60950 / UL60950-1 and CSA C22.2 No. 60950-1-07 (Information Technology Equipment) – Safety – Part1:General Requirement. Electrical safety; EN54-4 Fire Detection and fire alarm systems; 89/336/EEC EMC Directive; 2014/35/UE (Low Voltage); Safety EN IEC 62368-1: 2014/AC:2015; DIN41773 (Charging cycle); Emission : IEC 61000-6-4; Immunity: IEC 61000-6-2. CE.

## Climatic Data

Ambient temperature (operation)	-25 ÷ +70°C
De Rating $T^a > 50^\circ\text{C}$	- 2.5%(In) / °C
Ambient temperature Storage	-40 ÷ +85°C
Humidity at 25 °C no condensation	95% to 25°C
Altitude: 0 to 2 000m - 0 to 6 560ft	No restrictions
Altitude: 2 000 to 6 000m - 6 560 to 20 000ft	De-rating 5°C/1000m
Cooling	Auto convection

## General Data

Insulation voltage (IN/OUT)	3000 Vac
Insulation voltage (Input / Earth, PE)	2000 Vac
Insulation voltage (Out Load & Battery / Earth, PE)	500 Vac
Insulation voltage (Out Load & Battery / Fault System & Main or Back Up terminal)	500 Vac
Protection Class (EN/IEC 60529)	IP20
Reliability: MTBF IEC 61709	> 300.000 h
Pollution Degree Environment	2
Connection Terminal Blocks screw Type	2,5mm(24–14AWG)
Protection class (PE Connected)	I, with PE
Dimensions (w-h-d)	100x115x135 mm
Weight	0.85 kg approx.

## Input Data

Nominal Input Voltage Vac	115 – 230 – 277
Voltage range Vac	90 – 135 180 – 305

Inrush Current ( $V_n - I_n$ nom. Load) $I^2t$	$\leq 16 \text{ A} \leq 5 \text{ msec.}$
Frequency	47 ÷ 63 Hz
Input Current (115 – 230 Vac)	5 – 2.5 A
Internal fuse (not replaceable)	6.3 A
External Fuse (recommended) MCB curve B	16 A

## Output Data (internal power supply)

Output Voltage ( $V_n$ ) / Nominal Current ( $I_n$ )	24 Vdc / 10A
Output Current $I_n = I_{load}$	10 A
Efficiency (at 50% of rated current)	$\geq 83 \%$
Residual Ripple	$\leq 60 \text{ mV}_{pp}$
Turn-On delay after applying mains voltage	1.5 sec. (max)
Start up with Strong Load (capacitive load)	Yes, Unlimited
Dissipation power load max (W)	28
Short-circuit protection	Yes
Over Load protection	Yes
Over Voltage Output protection	Yes (typ. 35 Vdc)
Overheating Thermal protection	Yes

## Battery Output

Boost charge (25 °C) ( $I_n$ )	28.8 Vdc
Max.Time Boost–Bulk charge (Typ. at $I_n$ )	15 h
Min.Time Boost–Bulk charge (Typ. at $I_n$ )	1 min.
Float charge (25 °C) ( $I_n$ )	27.5 Vdc
Jumper Configuration battery type (V/cell)	2,23;2,25;2,27;2,3; NiCd:1,4; Li-ion 3.45
Recovery Charge	2 – 16 Vdc
Charging current max $I_{batt}$	10 A $\pm 5\%$
Charging current limiting $I_{adj}$	20 ÷ 100 % / $I_{bat}$
Reverse battery protection	Yes
Sulfated battery check	Yes by Jumper
Short circuit Element Detection	Yes
Detection of element in short circuit	Yes
Quiescent Current max.	$\leq 100 \text{ mA}$
Charging Curve automatic: IUoU	4 stage
Remote Input Control (RTCONN cable)	Boost / Float

## Load Output

Output voltage Vdc (at $I_n$ )	22 - 28.8 V (31 Ni-Cd)
Nominal current $I_{load}$	1.1 x $I_n \pm 5\%$
Continuous current (without battery) $I_{load} = I_n$	10 A
Continuous current (With battery) $I_{load} = I_n + I_{batt}$	20 A
Max. current Output Load (Main) $I_{load} (4 \text{ sec.})$	30 A max.
Max. current Output Load (Back Up) $I_{load} (4 \text{ sec.})$	20 A max.
Start From Battery Without Main (Remote Input Control)	RTCONN (cable)
Order reference:	CBI2410A/S
Time Buffering:	$\infty$ : standard
min (switch off output without main input)	5 min.: Require SW
Threshold alarm Battery almost flat	20 – 21 Vdc batt
LVD. (Protections against total Battery discharge)	19 – 20 Vdc batt

## Signal Output (free switch contacts)

Main or Backup Input Power	Yes
Low Battery	Yes
Fault Battery or system	Yes

## Type of Signal Output Contact

Dry Contact. Current can be switched (EN60947.4.1): Max: DC1: 30 Vdc 1 A; AC1: 60 Vac 1A (Resistive load ) Min: 1mA at 5 Vdc (Min permissible load)		
Fault System / Low Battery	C	NC NO
Main or Back Up	C	NC NO

## Signal Input / Output (RJ45)

Temp. Comp. Battery (with external probe): Aux Out	RJ Temp (cable)
Remote monitoring LED from Front Device: Aux Out	RJ 45 (cable)