

Electromechanical Relay

ERL Series



- Space saving
- Wide product range
- LED indicator
- Test bar option
- High contact rating



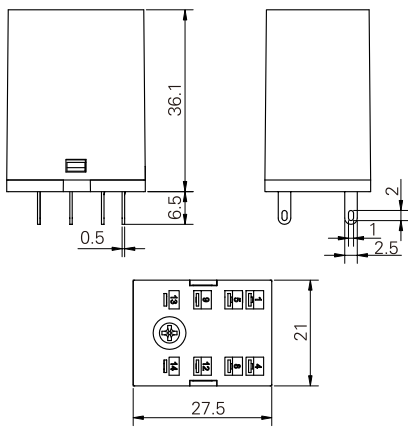
Info@wilktronics.com

+41 91 22 80 062

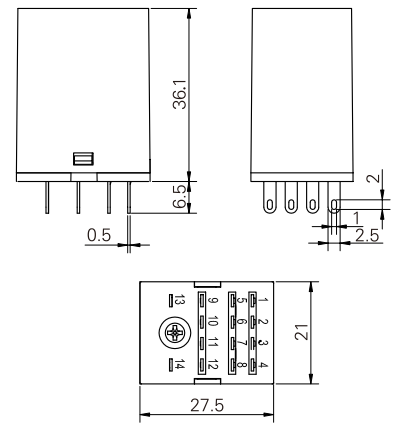
Via cantonale 69
CH - 6805 Mezzovico
Switzerland

www.wilktronics.com

Dimensions(mm)



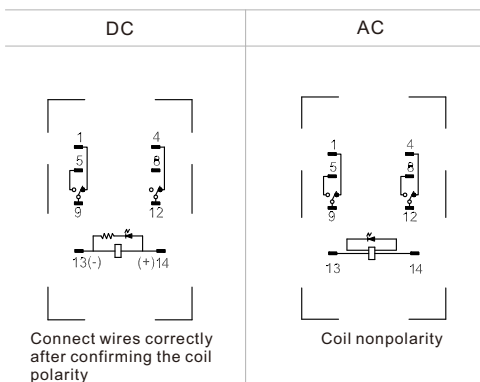
2 Poles



4 Poles

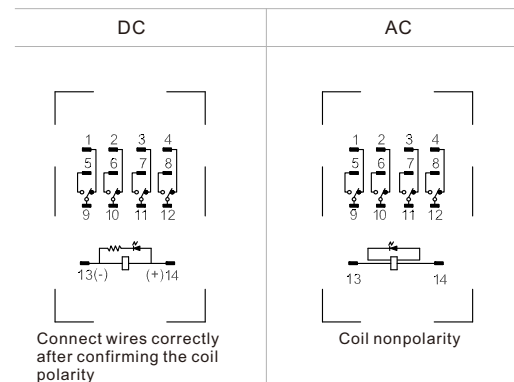
Wiring Diagrams

2 Poles



- Note: 1. LED indicator color: red for AC, green for DC
2. The indicator shows the power of the coil, not according to the contact action

4 Poles



- Note: 1. LED indicator color: red for AC, green for DC
2. The indicator shows the power of the coil, not according to the contact action

Electromechanical Relay

ERL Series



Type Selection

Coil	Contact		Test bar	Type	Order No.
	Changover	Current			
24Vdc	2	5A	No	ERL2524DC	1010101
24Vdc	2	10A	No	ERL21024DC	1010102
220Vac	2	5A	No	ERL25220AC	1010103
220Vac	2	10A	No	ERL210220AC	1010104
24Vdc	4	5A	No	ERL4524DC	1010105
220Vac	4	5A	No	ERL45220AC	1010106
24Vdc	2	5A	Yes	ERLT2524DC	1010107
24Vdc	2	10A	Yes	ERLT21024DC	1010108
220Vac	2	5A	Yes	ERLT25220AC	1010109
220Vac	2	10A	Yes	ERLT210220AC	1010110
24Vdc	4	5A	Yes	ERLT4524DC	1010111
220Vac	4	5A	Yes	ERLT45220AC	1010112

Specifications

Contacts

Contact Material	Ag alloy
Load	2 poles:5A or 10A,4 poles:5A
Rated voltage	250Vac/30Vdc
Actuation voltage	DC: ≤ 75%,AC: ≤ 80%(rated voltage)
Release voltage	DC: ≥ 10%,AC: ≥30%(rated voltage)
Initial contact resistance	5A: ≤ 100mΩ 10A: ≤ 50mΩ
Electrical life time	10 ⁵ times
Mechanical life time	10 ⁷ times

Performance

Operation time(@rated voltage)	≤ 20ms
Release time	≤ 20ms
Shock resistance	1000m/s ²
Vibration resistance	10-55Hz, dual amplitude: 1.0mm
Ambient temperature(@rated voltage)	-40°C - +70°C
Environmental humidity	5% - 85%RH

Insulation

Insulation resistance	≥ 1000MΩ	
Test voltage(1 min.)	Same pole	1000 Vac(leakage current 1mA)
	Different poles	2000 Vac(leakage current 1mA)
	Contacts coil	2000 Vac(leakage current 1mA)

Coil

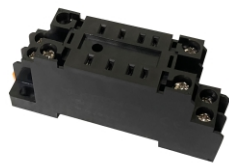
Coil power	DC:0.9W,AC:1.2VA
------------	------------------

Approvals

CE

Sockets

2 Poles



SKE2ZC2

4 Poles



SKE2ZC2