

# Fiber Optic Sensor

## Glass Fiber Unit

Through beam

Type:FUGTM320

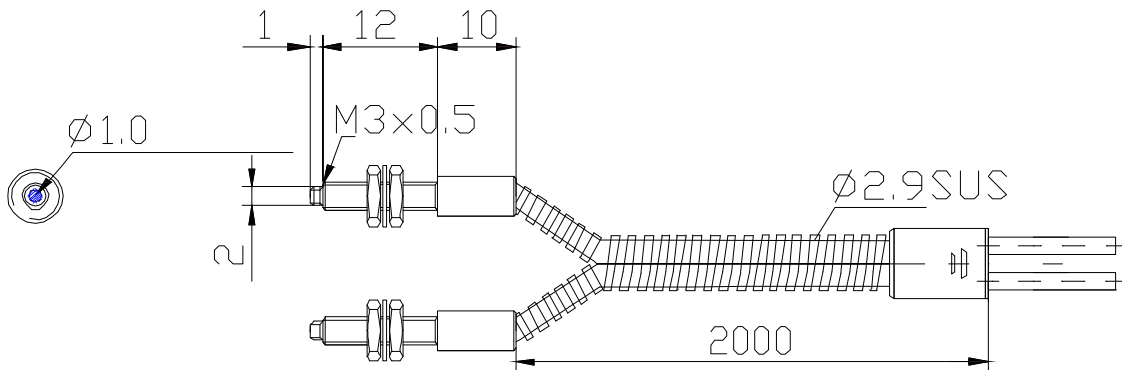
Order NO.:3031000

- Stainless steel protection sheath
- High temperature up to 350°C
- Customizable fiber length



Info@wilktronics.com  
+41 91 22 80 062  
Via cantonale 69  
CH - 6805 Mezzovico  
Switzerland  
www.wilktronics.com

### Dimensions(mm)



### Specifications

Bending radius	R23
Fiber length	2000mm
Fiber head material	Stainless steel
Jacket material	Stainless steel
Fiber material	Glass
Operating temperature	-40 - +350°C