

Fiber Optic Sensor

Glass Fiber Unit

Through beam

Type:FUGTVM320

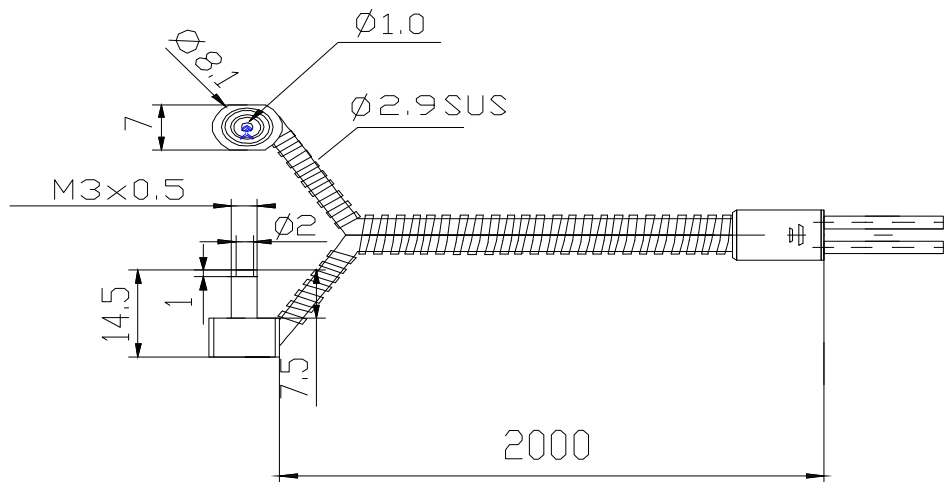
Order NO.:3031002

- Stainless steel protection sheath
- High temperature up to 350°C
- Customizable fiber length



Info@wilktronics.com
+41 91 22 80 062
Via cantonale 69
CH - 6805 Mezzovico
Switzerland
www.wilktronics.com

Dimensions(mm)



Specifications

Bending radius	R23
Fiber length	2000mm
Fiber head material	Stainless steel
Jacket material	Stainless steel
Fiber material	Glass
Operating temperature	-40 - +350°C