

# Fiber Optic Sensor

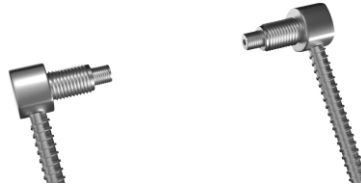
## Glass Fiber Unit

Through beam

Type:FUGTVM420

Order NO.:3031003

- Stainless steel protection sheath
- High temperature up to 350°C
- Customizable fiber length



Info@wilktronics.com



+41 91 22 80 062



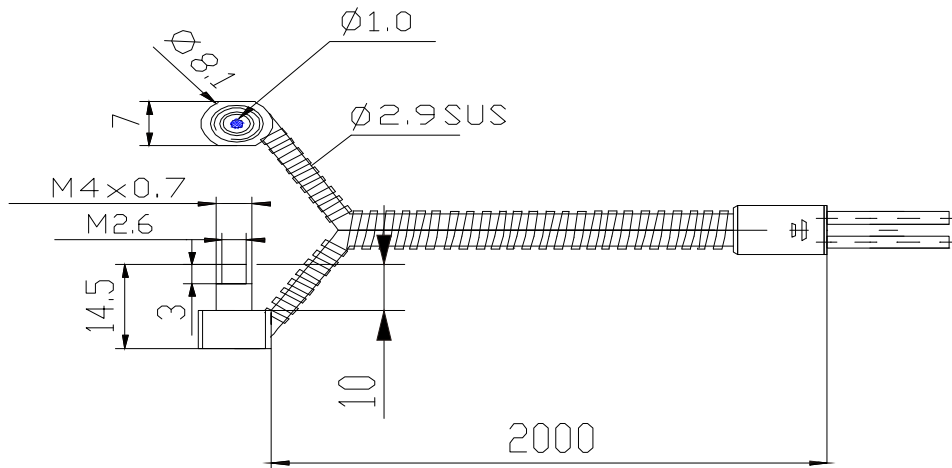
Via cantonale 69  
CH - 6805 Mezzovico  
Switzerland



www.wilktronics.com



### Dimensions(mm)



No Cutting

### Specifications

Bending radius	R23
Fiber length	2000mm
Fiber head material	Stainless steel
Jacket material	Stainless steel
Fiber material	Glass
Operating temperature	-40 - +350°C