

Fiber Optic Sensor

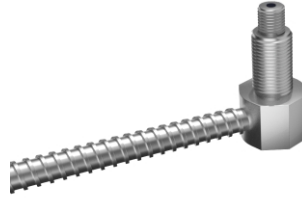
Glass Fiber Unit

Diffusive

Type:FUGVM420

Order NO.:3030903

- Stainless steel protection sheath
- High temperature up to 350°C
- Customizable fiber length



Info@wilktronics.com



+41 91 22 80 062



Via cantonale 69
CH - 6805 Mezzovico
Switzerland

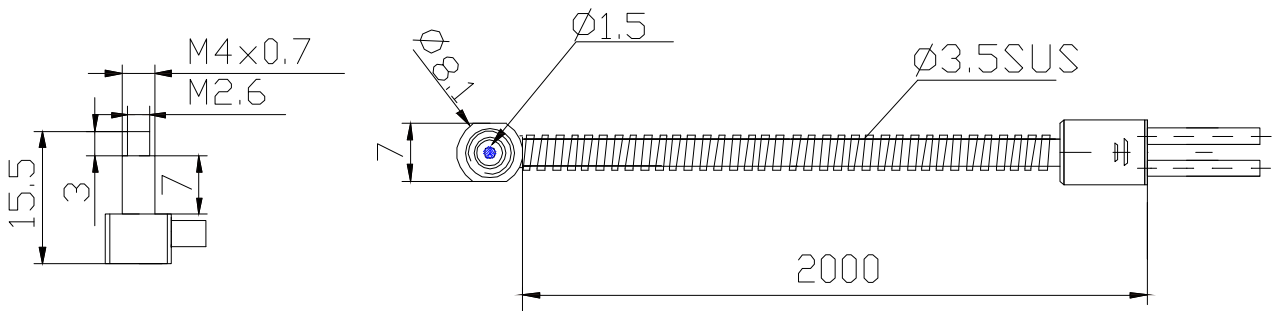


www.wilktronics.com



Dimensions(mm)

No Cutting



Specifications

Bending radius	R23
Fiber length	2000mm
Fiber head material	Stainless steel
Jacket material	Stainless steel
Fiber material	Glass
Operating temperature	-40 - +350°C